

Mechanical Effluent Pre-treatment Plant WASTEMASTER® TSB-1



COMPACT PLANT FOR EFFLUENTS FROM SEPTIC TANK

WASTEMASTER® TSB1 carries out up two different processes: separation of solids present in effluents and the compaction and de-watering of the extracted solids.

The sewage from cesspool tanks / interceptors or industrial plants collected by special tankers, has to be pre-treated before it can be introduced into any kind of purification system. The suspended solids are retained by the screen increasing the level in the front part of the screen. At this point the screw starts operating, cleaning the screen by means of brushes fixed on the outer part of the screw flight, removing the material, and then de-watering and compacting it.

The machine consists of the following parts:

- Screen;
- Conveyor screw;
- Compactor

The conveyor screw consists of a shaftless spiral which collects the solids from the bottom of the screen conveying them without risk of clogging.

The compactor in the upper part, equipped with washing section for diminishing organic fractions, uses the conveyor screw for compaction and de-watering of the screenings.

Technical features

- TSB-1 has a sturdy metal framework, (completely enclosed structure complying with safety regulations and preventing odours) manufactured entirely from 304L / 316L stainless steel
- Shaftless conveyor screw manufactured from 304 / 316 stainless steel or special high-resistance steel
- Flow rates up to 30 litres per second (64 c.f.m.) with solids extraction up to 0.35 dm³/s
- Screens have a special mesh suitable for particular characteristics of waste water and solids up to 10 mm
- Machines equipped with quick coupling and Perrot Valve



Inlet Screen Basket
 with Splash Guard



Polymer Outlet with
 Compacting Washing System



Quick Coupling + Perrot Valve

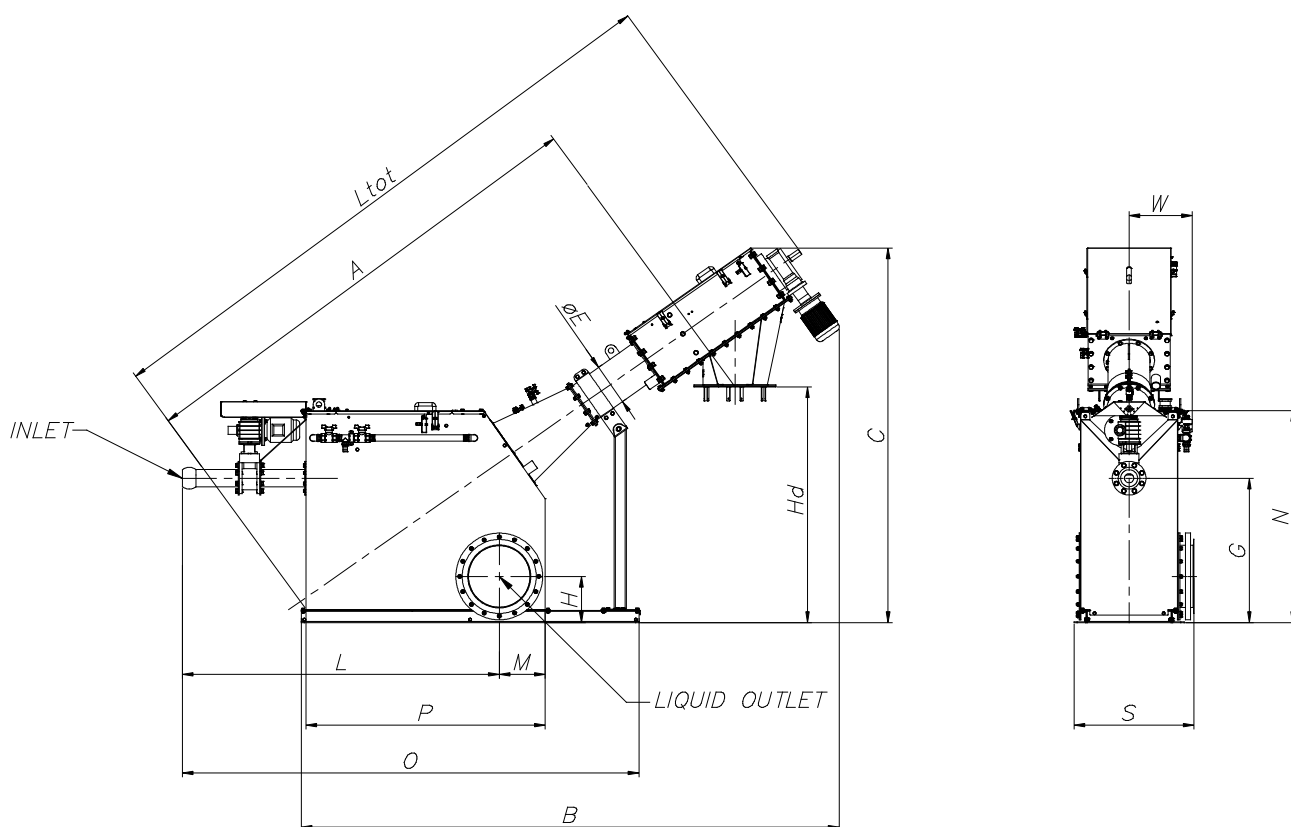


Tank Washing System

Benefits

- ✓ Screening, conveying and compacting in a single unit using one drive only;
- ✓ Easy installation, low maintenance and low operating costs;
- ✓ Outdoor installation with optional anti-freeze accessories;
- ✓ No clogging even with fibres thanks to shaftless screw design.
- ✓ Odour free
- ✓ No civil works required

Overall Dimensions



MODEL	A	B	C	ØE	G	H	Hd	L	M	N	O	P	S	W	Ltot
TSB1/15	3,110	3,504	2,440	273	940	300	1,535	2,064	300	1,380	2,982	1,560	780	411	3,972
TSB1/30	3,370	3,703	2,596	324	1,140	350	1,691	2,204	350	1,580	3,382	1,750	880	309	4,218

Dimensions in mm

Accessories

- Bag clamping system
- Endless tube

ООО «ТИ-СИСТЕМС» ИНЖИНИРИНГ И ПОСТАВКА ТЕХНОЛОГИЧЕСКОГО ОБОРУДОВАНИЯ

Интернет: www.tisys.ru www.tisys.kz www.tisys.by www.tesec.ru www.ти-системс.рф

Телефоны: +7 (495) 7774788, 7489626, 5007155, 54 Эл. почта: info@tisys.ru info@tisys.kz info@tisys.by

Application



063020166 July 2013 Rights reserved to modify technical specifications.



SPECO

ООО «ТИ-СИСТЕМС» ИНЖИНИРИНГ И ПОСТАВКА ТЕХНОЛОГИЧЕСКОГО ОБОРУДОВАНИЯ www.wamgroup.com

Интернет: www.tisys.ru www.tisys.kz www.tisys.by www.tesec.ru www.ти-системс.рф

Телефоны: +7 (495) 7774788, 7489626, 5007155, 54 Эл. почта: info@tisys.ru info@tisys.kz info@tisys.by



UNI EN ISO 9001
Certified Company